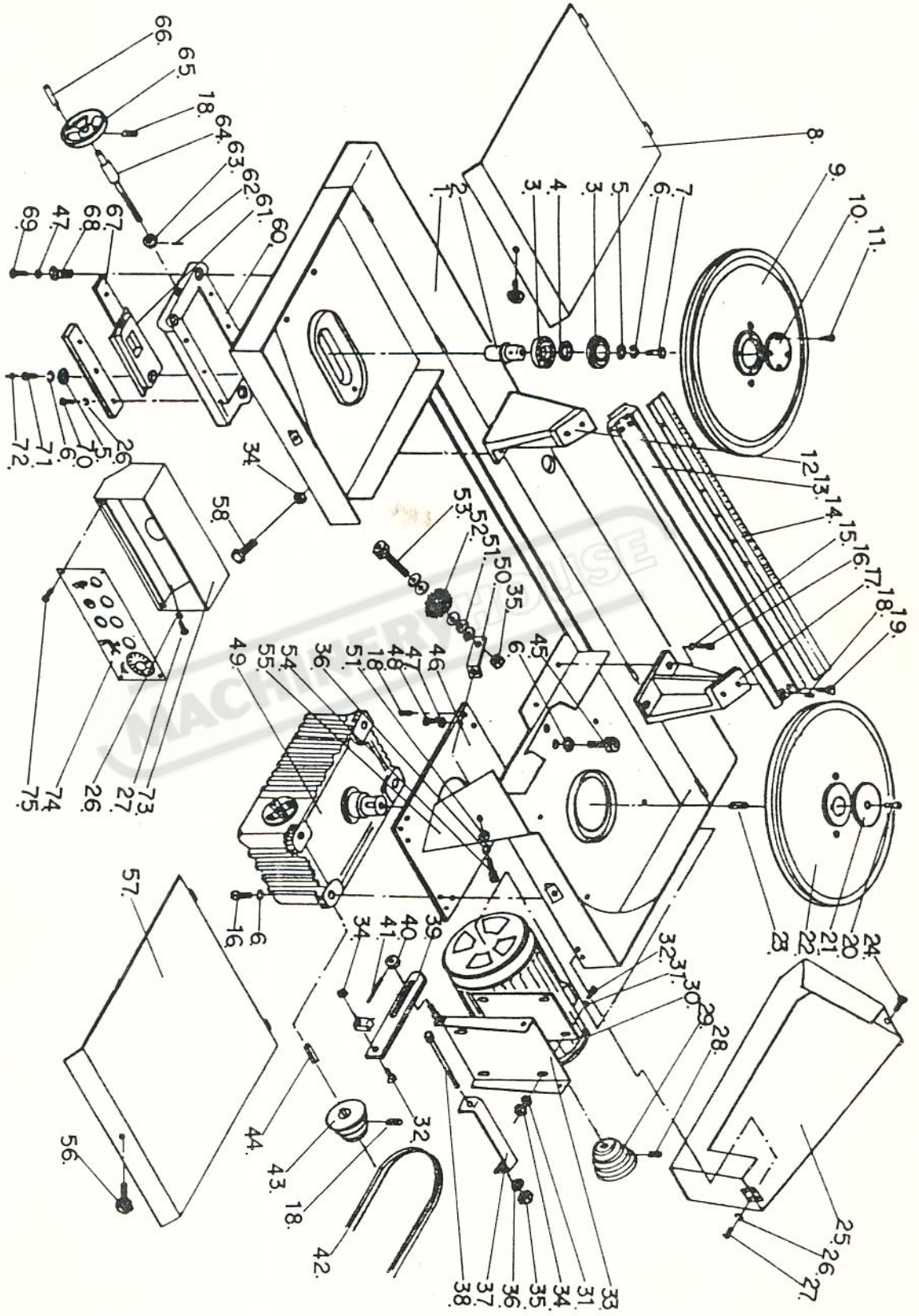


Elect Prefix 6:---

1. SAW BOW



## 1. SAW BOW (A)

INDEX NO.	PARTS NAME	TYPE	Q'TY	NOTE
1- 1	saw bow		1	
1- 2	idle wheel shaft		1	
1- 3	bearing	6205Z	2	
1- 4	bearing washer		1	
1- 5	washer	1/2	2	
1- 6	spring washer	1/2	12	
1- 7	bolt	1/2-12Wx3/4	1	
1- 8	wheel cover (left)		1	
1- 9	idler wheel		1	
1-10	washer (A)		1	
1-11	screw	1/4-20UNCx1/4	4	
1-12	bracket (left)		1	
1-13	dovetail guide		1	
1-14	guage plate (ruler)		1	
1-15	spring washer	M13	4	
1-16	bolt	1/2-12Wx1 1/4	8	
1-17	bracket (right)		1	
1-18	set screw	5/16-18UNCx3/4	10	
1-19	screw	3/8-16UNCx1 1/4	4	
1-20	screw	5/16-18UNCx1/4	1	
1-21	washer (B)		1	
1-22	drive wheel		1	
1-23	key	10x8x20L (mm)	1	
1-24	screw	1/4-20UNCx3/4	1	
1-25	pulley cover		1	
1-26	spring washer	1/4	14	
1-27	screw	1/4-20UNVx1/2	8	
1-28	set screw	5/16-18UNVx3/8	1	
1-29	motor pulley		1	
1-30	motor	1½HP	1	
1-31	washer	3/8	8	
1-32	screw	3/8-16UNCx3/4	5	
1-33	motor mounting plate		1	
1-34	nut	3/8	6	
1-35	nut	5/16	2	
1-36	spring washer	5/16	2	

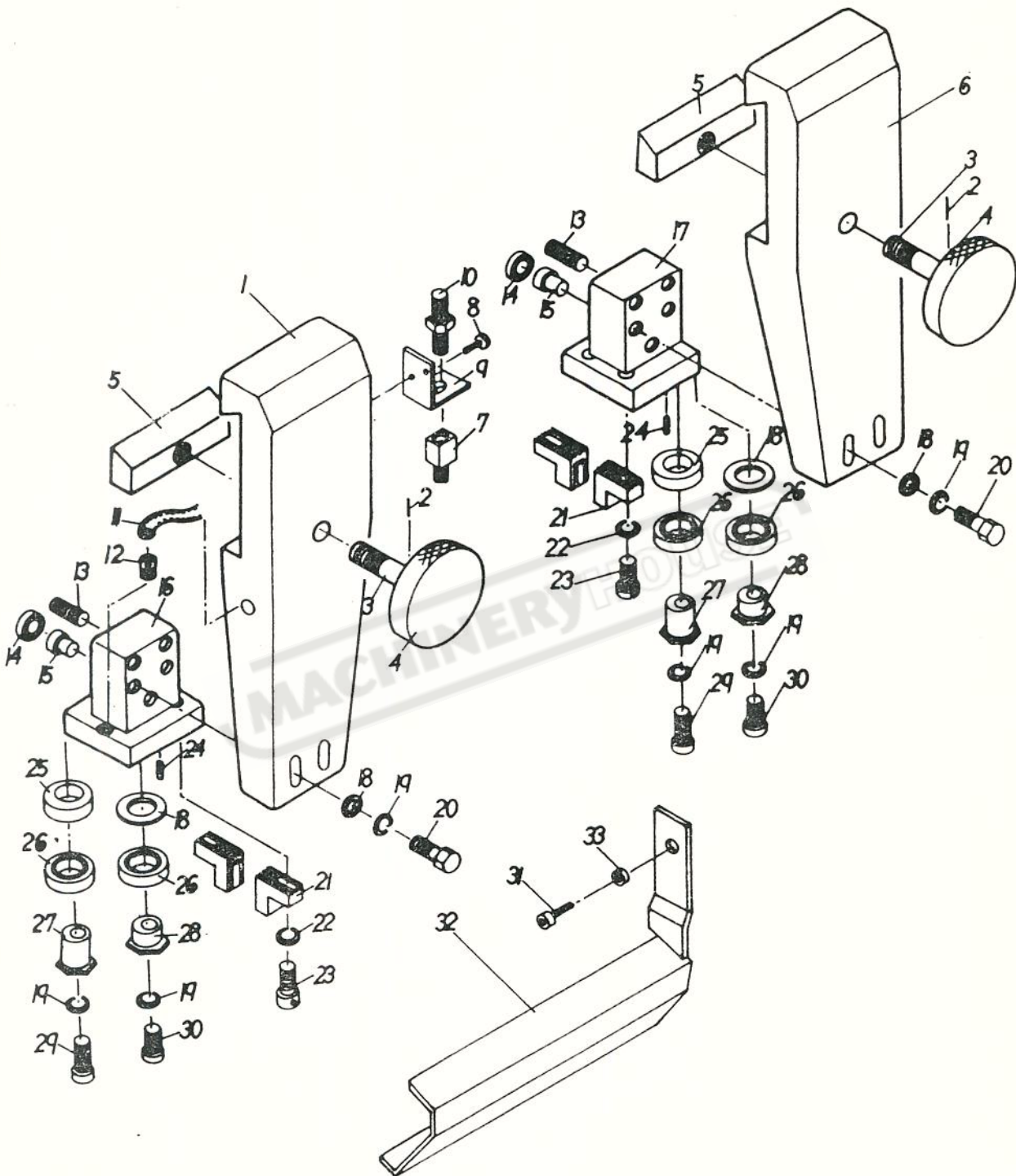
## 1. SAW BOW (B)

INDEX NO.	PARTS NAME	TYPE	Q'TY	NOTE
1-37	bracket		1	
1-38	lock screw		1	
1-39	adjusting plate		1	
1-40	lock nut	5/8	1	
1-41	lever		1	
1-42	V Belt	A37	1	
1-43	transmission pulley		1	
1-44	key	7x7x25 (mm)	1	
1-45	bolt	1/2-12Wx1½	6	
1-46	gear box bracket		1	
1-47	spring washer	3/8	7	
1-48	screw	3/8-16UNCx1	4	
1-49	gear box		1	
1-50	bracket		1	
1-51	washer	5/16	6	
1-52	wire brush		1	
1-53	screw	5/16-18UNCx11/4	1	
1-54	screw	5/16-18UNCx1/2	1	
1-55	wire brush cover		1	
1-56	knob		2	
1-57	wheel cover (right)		1	
1-58	screw	3/8-16UNCx1	1	
1-59	spring		1	deleted
1-60	tension plate		1	
1-61	adjusting slide		1	
1-62	spring pin	ø3x25 (mm)	1	
1-63	collar		1	
1-64	blade tensioning screw		1	
1-65	hand wheel		1	
1-66	handle		1	deleted
1-67	guide plate		2	
1-68	adjusting bolt	5/8-11UNCx1½	3	
1-69	screw	3/8-16UNCx2	3	
1-70	screw	1/4-20UNCx1	6	
1-71	bolt	1/2-12Wx1	1	
1-72	nipple	1/4"	1	



ELeet Prefix 6-

2. BLADE GUIDE ARMS

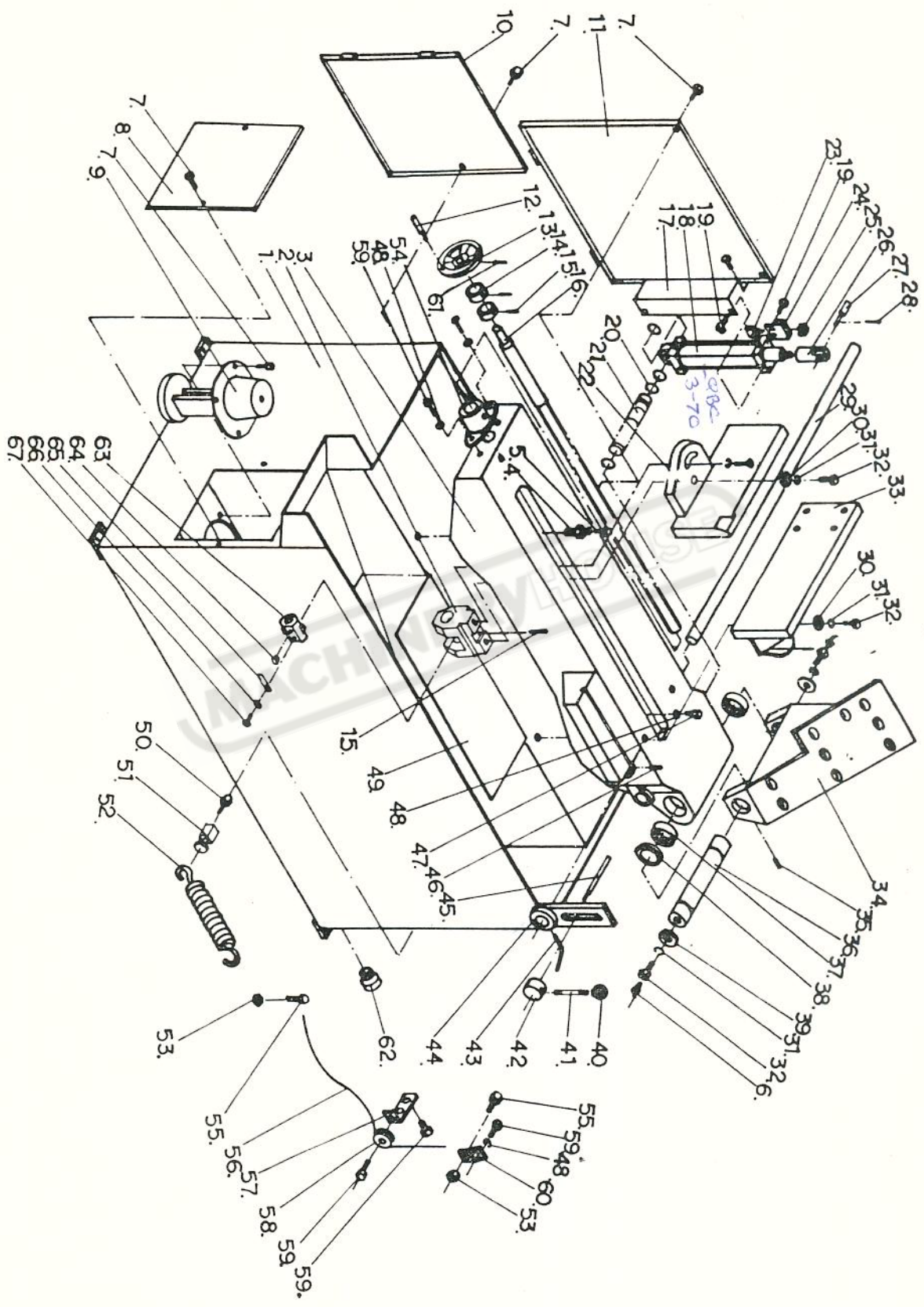


## 2. BLADE GUIDE ARMS

INDEX NO.	PARTS NAME	TYPE	Q'TY	NOTE
2- 1	guide arm (left)		1	
2- 2	spring pin	ø3x30L (mm)	2	
2- 3	bolt	1/2-20UNFx2 3/8	2	
2- 4	knob		2	
2- 5	clamping block		2	
2- 6	guide arm (right)		1	
2- 7	coolant valve		1	
2- 8	screw	3/16-24UNCx3/8	2	
2- 9	bracket		1	
2-10	fitting	PT 1/8"	1	
2-11	coolant nozzle	5/16"	1	
2-12	hose		1	
2-13	set screw	1/4-20UNCx1/2	6	
2-14	guide bearing	608ZZ	2	
2-15	bearing shaft		2	
2-16	guide seat (left)		1	
2-17	guide seat (right)		1	
2-18	washer	5/16	6	
2-19	spring washer	5/16	8	
2-20	screw	5/16-18UNCx11/4	4	
2-21	tungsten carbide blade guide		4	
2-22	spring washer	1/4	4	
2-23	screw	1/4-20UNCx1	4	
2-24	set screw	1/4-20UNCx1/4	2	
2-25	washer		2	
2-26	guide bearing	6202ZZ	4	
2-27	eccentric bushing (long)		2	
2-28	eccentric bushing (short)		2	
2-29	screw	5/16-18UNCx1½	2	
2-30	screw	5/16-18UNCx1	2	
2-31	screw	1/4-20UNCx3/8	2	
2-32	blade guard		1	
2-33	washer		1	

Elect Prefix 6-...

3. BASE ASSEMBLY AND BED



## 3. BASE ASSEMBLY AND BED (A)

INDEX NO.	PARTS NAME	TYPE	Q'TY	NOTE
3- 1	base		1	
3- 2	vise sliding bracket		1	
3- 3	bed		1	
3- 4	bolt	5/8-11UNCx1 1/2	2	
3- 5	screw	3/8-16UNCx2 1/2	2	
3- 6	nipple	1/4"	2	
3- 7	screw	1/4-20UNCx1	9	
3- 8	pump cover		1	
3- 9	pump	1/8 Hp	1	
3-10	electric cabinet door		1	
3-11	cover		1	
3-12	handle		1	
3-13	hand wheel		1	
3-14	collar		2	
3-15	spring pin	φ6x30 (mm)	3	
3-16	vise lead screw		1	
3-17	cylinder cover		1	
3-18	cylinder		1	
3-19	screw	1/4-20UNCx3/4	6	
3-20	retainer	φ22 (mm)	4	
3-21	cylinder pivot		1	
3-22	movable vise jaw		1	
3-23	limit switch		1	
3-24	switch bracket		1	
3-25	lock nut	M12x1.75	1	
3-26	piston head		1	
3-27	hinge shaft		1	
3-28	cotter pin	φ3x30 (mm)	1	
3-29	depth bar (length bar)		1	
3-30	washer	1/2	3	
3-31	spring washer	1/2	5	
3-32	bolt	1/2-12Wx1½	5	
3-33	fixed vise jaw		1	
3-34	saw bow bracket		1	
3-35	set screw	1/4-20UNCx1/2	2	
3-36	pivot		1	



## 3. BASE ASSEMBLY AND BED (B)

INDEX NO.	PARTS NAME	TYPE	Q"TY	NOTE
3-37	needle bearing	HK2820	2	
3-38	oil seal	28x38x5.5 (mm)	1	
3-39	washer		2	
3-40	plastic ball		1	
3-41	stopper handle		1	
3-42	lock nut		1	
3-43	fastening bolt		1	
3-44	stopper bracket		1	
3-45	stopper		1	
3-46	set screw	1/4-20UNCx3/8	1	
3-47	screw	3/8-16UNCx2	2	
3-48	spring washer	3/8"	7	
3-49	filter plate		1	
3-50	screw	5/16-18UNCx3/4	1	
3-51	bracket		1	
3-52	spring		1	
3-53	nut	3/8	2	
3-54	lead screw seat		1	
3-55	lock screw	3/8-16UNCx1	2	
3-56	wire rope	3 (mm)	1	
3-57	bracket		1	
3-58	wire rope guide wheel		1	
3-59	screw	3/8-16UNCx1	5	
3-60	bracket (B)		1	
3-61	spring pin	∅6x40 (mm)	1	
3-62	plug		1	
3-63	lead screw nut		1	
3-64	screw nut rotating pin		1	
3-65	spring piece		1	
3-66	washer	3/16	1	
3-67	screw	3/16-24UNCx1/4	1	

October, 1985